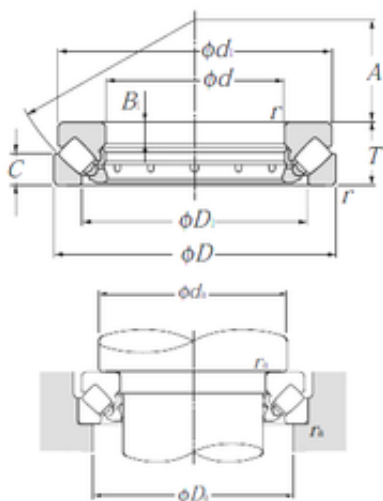




Bearing industry Co., Ltd



NTN 293/500 Thrust Bearings

Bearing No. 293/500

Size	500x750x150 mm
Bore Diameter	500 mm
Outer Diameter	750 mm
Width	150 mm
d	500 mm
D	750 mm
T	150 mm
B1	51 mm
C	74 mm
d1	725 mm
r min.	6 mm
A	280 mm
D1	611 mm
da min.	615 mm
Da max.	670 mm
ra max.	5 mm
Weight	235 Kg
Basic dynamic load rating (C)	4 300 kN
Basic static load rating (C0)	19 300 kN

293/500 Bearing 2D drawings and 3D CAD models