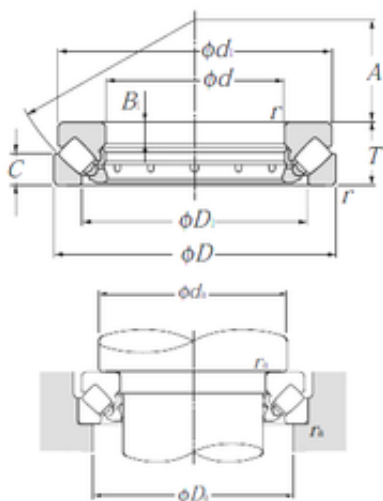




Bearing industry Co., Ltd



NTN 29456 Thrust Bearings

Bearing No. 29456

Size	280x520x145 mm
Bore Diameter	280 mm
Outer Diameter	520 mm
Width	145 mm
d	280 mm
D	520 mm
T	145 mm
B1	52 mm
C	68 mm
d1	495 mm
r min.	6 mm
A	166 mm
D1	387 mm
da min.	390 mm
Da max.	440 mm
ra max.	5 mm
Weight	140 Kg
Basic dynamic load rating (C)	3 350 kN
Basic static load rating (C0)	12 400 kN
Category	Bearings
Inventory	0.0
Manufacturer Name	NTN
Minimum Buy Quantity	N/A
Weight / Kilogram	0
EAN	4547359291148
Product Group	B04311

29456 Bearing 2D drawings and 3D CAD models



Bearing industry Co., Ltd