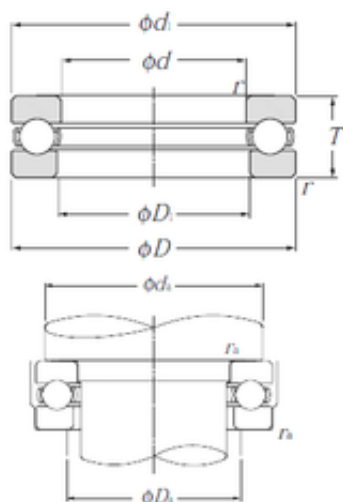




Bearing industry Co., Ltd



NTN 51138 Thrust Bearings

Bearing No. 51138

Size	190x240x37 mm
Bore Diameter	190 mm
Outer Diameter	240 mm
Width	37 mm
d	190 mm
D	240 mm
T	37 mm
d1	237 mm
r min.	1,1 mm
D1	193 mm
da min.	220 mm
Da max.	210 mm
ra max.	1 mm
Weight	3,75 Kg
Basic dynamic load rating (C)	170 kN
Basic static load rating (C0)	655 kN
(Grease) Lubrication Speed	980 r/min
Category	Thrust Ball Bearing
Inventory	0.0
Manufacturer Name	NTN
Minimum Buy Quantity	N/A
Weight / Kilogram	3.523
EAN	4547359306323
Product Group	B00308
Rolling Element	Ball Bearing
Thrust Bearing	Yes

51138 Bearing 2D drawings and 3D CAD models



Bearing industry Co., Ltd

Single or Double Direction	Single Direction
Banded	No
Cage Material	Steel
Precision Class	ABEC 1 ISO P0
Component Description	Roller Assembly Plus Raceways
Other Features	Single Row With Flat Seat
Long Description	190MM Bore 1; 193MM Bore 2; 240MM Outside Diameter; 37MM Height; Ball Bearing; Single Direction; Not Banded; Steel Cage; ABEC 1 ISO P0 Precision
Inch - Metric	Metric
Category	Thrust Ball Bearings
UNSPSC	31171552
Harmonized Tariff Code	8482.10.50.08
Noun	Bearing
Keyword String	Ball Thrust
Manufacturer URL	http://www.ntnamerica.com
Manufacturer Item Number	51138
Weight / LBS	8.26733
Bore 2	7.598 Inch 193 Millimeter
Overall Height with Aligning Washer	0 Inch 0 Millimeter
Height	1.457 Inch 37 Millimeter
Outside Diameter	9.449 Inch 240 Millimeter
Bore 1	7.48 Inch 190 Millimeter
bore diameter:	190 mm
dynamic load capacity:	170000 N
outside diameter:	237 mm
operating temperature range:	-40 to 120 ° C



Bearing industry Co., Ltd

overall width:	37 mm
maximum rpm:	1400 rpm
thrust bearing type:	Single-Direction
bearing material:	High Carbon Chrome Steel
outside diameter design:	Straight
cage material:	Steel
separable or banded:	Separable
fillet radius:	1.1 mm
precision rating:	ISO Class 0
manufacturer product page:	Click here
static load capacity:	655000 N