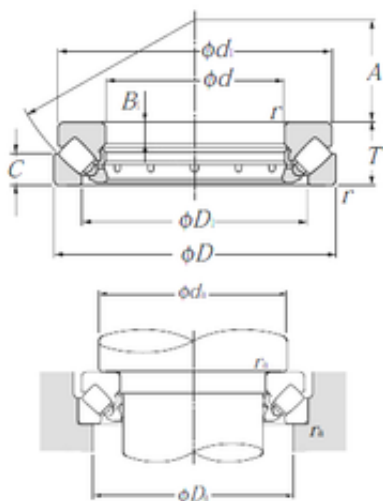




Bearing industry Co., Ltd



NTN 29248 Thrust Bearings

Bearing No. 29248

| | |
|-------------------------------|---------------|
| Size | 240x340x60 mm |
| Bore Diameter | 240 mm |
| Outer Diameter | 340 mm |
| Width | 60 mm |
| d | 240 mm |
| D | 340 mm |
| T | 60 mm |
| B1 | 19 mm |
| C | 30 mm |
| d1 | 330 mm |
| r min. | 2,1 mm |
| A | 130 mm |
| D1 | 283 mm |
| da min. | 285 mm |
| Da max. | 305 mm |
| ra max. | 2 mm |
| Weight | 17,5 Kg |
| Basic dynamic load rating (C) | 825 kN |
| Basic static load rating (C0) | 3 600 kN |

29248 Bearing 2D drawings and 3D CAD models