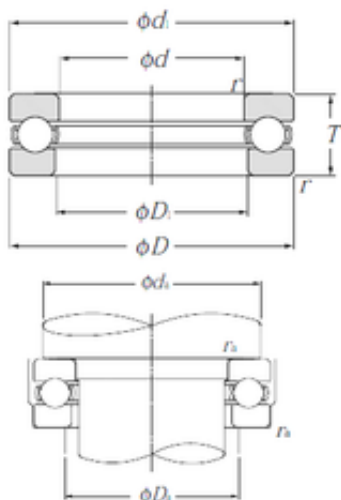




Bearing industry Co., Ltd



NTN 51332 Thrust Bearings

Bearing No. 51332

Size	160x270x87 mm
Bore Diameter	160 mm
Outer Diameter	270 mm
Width	87 mm
d	160 mm
D	270 mm
T	87 mm
d1	265 mm
r min.	3 mm
D1	164 mm
da min.	225 mm
Da max.	205 mm
ra max.	2,5 mm
Weight	20,7 Kg
Basic dynamic load rating (C)	450 kN
Basic static load rating (C0)	1 470 kN
(Grease) Lubrication Speed	600 r/min
Category	Thrust Ball Bearing
Inventory	0.0
Manufacturer Name	NTN
Minimum Buy Quantity	N/A
Weight / Kilogram	19.9
EAN	4547359307283
Product Group	B00308
Rolling Element	Ball Bearing
Thrust Bearing	Yes

51332 Bearing 2D drawings and 3D CAD models



Bearing industry Co., Ltd

Single or Double Direction	Single Direction
Banded	No
Cage Material	Steel
Precision Class	ABEC 1 ISO P0
Component Description	Roller Assembly Plus Raceways
Other Features	Single Row With Flat Seat
Long Description	160MM Bore 1; 164MM Bore 2; 270MM Outside Diameter; 87MM Height; Ball Bearing; Single Direction; Not Banded; Steel Cage; ABEC 1 ISO P0 Precision
Inch - Metric	Metric
Category	Thrust Ball Bearings
UNSPSC	31171552
Harmonized Tariff Code	8482.10.50.08
Noun	Bearing
Keyword String	Ball Thrust
Manufacturer URL	http://www.ntnamerica.com
Manufacturer Item Number	51332
Weight / LBS	45.63569
Outside Diameter	10.63 Inch 270 Millimeter
Bore 2	6.457 Inch 164 Millimeter
Overall Height with Aligning Washer	0 Inch 0 Millimeter
Height	3.425 Inch 87 Millimeter
Bore 1	6.299 Inch 160 Millimeter
bore diameter:	160 mm
dynamic load capacity:	450000 N
outside diameter:	270 mm
operating temperature range:	-40 to 120 ° C



Bearing industry Co., Ltd

overall width:	87 mm
maximum rpm:	860 rpm
thrust bearing type:	Single-Direction
bearing material:	High Carbon Chrome Steel
outside diameter design:	Straight
cage material:	Steel
separable or banded:	Separable
fillet radius:	3 mm
precision rating:	ISO Class 0
manufacturer product page:	Click here
static load capacity:	1470000 N