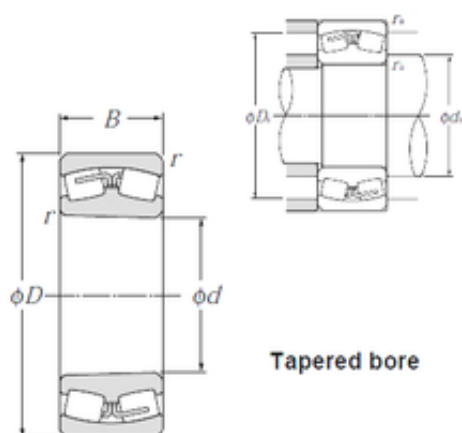




Bearing industry Co., Ltd

600 mm x 800 mm x 150 mm NTN 239/600K Spherical Roller Bearings



Bearing No. 239/600K

Size	600x800x150 mm
Bore Diameter	600 mm
Outer Diameter	800 mm
Width	150 mm
d	600 mm
D	800 mm
B	150 mm
C	150 mm
r min.	5 mm
da min.	622 mm
Da max.	778 mm
ra max.	4 mm
Weight	211 Kg
Basic dynamic load rating (C)	3 150 kN
Basic static load rating (C0)	7 800 kN
(Grease) Lubrication Speed	350 r/min
(Oil) Lubrication Speed	450 r/min
Calculation factor (e)	0,18
Calculation factor (Y0)	3,76
Calculation factor (Y1)	3,85

239/600K Bearing 2D drawings and 3D CAD models