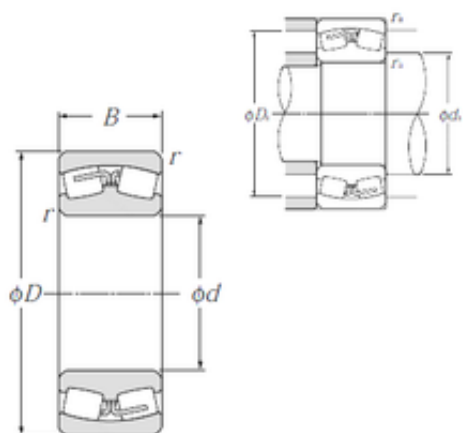




Bearing industry Co., Ltd

240 mm x 400 mm x 128 mm NTN 23148B Spherical Roller Bearings



Bearing No. 23148B

Size	240x400x128 mm
Bore Diameter	240 mm
Outer Diameter	400 mm
Width	128 mm
d	240 mm
D	400 mm
B	128 mm
C	128 mm
r min.	4 mm
da min.	258 mm
Da max.	382 mm
ra max.	3 mm
Weight	65,8 Kg
Basic dynamic load rating (C)	1 730 kN
Basic static load rating (C0)	3 050 kN
(Grease) Lubrication Speed	770 r/min
(Oil) Lubrication Speed	1 000 r/min
Calculation factor (e)	0,32
Calculation factor (Y0)	2,07
Calculation factor (Y1)	2,11
Category	Spherical Roller Bearings
Inventory	0.0
Manufacturer Name	NTN
Minimum Buy Quantity	N/A
Weight / Kilogram	65.02

23148B Bearing 2D drawings and 3D CAD models



Bearing industry Co., Ltd

EAN	4547359521542
Product Group	B04311
Internal Clearance	C0-Medium
Mounting Method	Shaft Mount
Rolling Element	Spherical Roller Bearing
Bore Profile	Straight
Cage Material	Bronze
Enclosure	Open
Number of Rows of Rollers	Double Row
Relubricatable	Yes
Withdrawal Sleeve	Not Applicable
Withdrawal Nut	Not Applicable
Inch - Metric	Metric
Long Description	240MM Straight Bore; 400MM Outside Diameter; 128MM Width; C0-Medium Clearance; Shaft Mount; Double Row of Spherical Roller Bearings; Bronze Cage Material; Open Enclosure; Relubricatable
Category	Spherical Roller Bearing
UNSPSC	31171510
Harmonized Tariff Code	84823080
Noun	Bearing
Keyword String	Spherical
Manufacturer URL	http://www.ntnamerica.com
Weight / LBS	143.208
Outside Diameter	15.748 Inch 400 Millimeter
Adapter Part Number	Not Applicable Inch Not Applicable Millimeter
Width	5.039 Inch 128 Millimeter
Bore	9.449 Inch 240 Millimeter



Bearing industry Co., Ltd