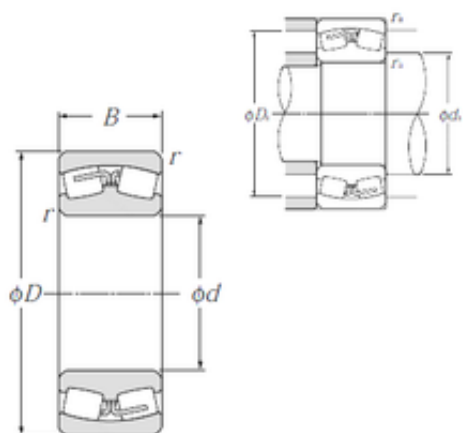




## Bearing industry Co., Ltd

### 300 mm x 420 mm x 90 mm NTN 23960 Spherical Roller Bearings



Bearing No. 23960

Size	300x420x90 mm
Bore Diameter	300 mm
Outer Diameter	420 mm
Width	90 mm
d	300 mm
D	420 mm
B	90 mm
C	90 mm
r min.	3 mm
da min.	314 mm
Da max.	406 mm
ra max.	2,5 mm
Weight	40 Kg
Basic dynamic load rating (C)	1 110 kN
Basic static load rating (C0)	2 320 kN
(Grease) Lubrication Speed	770 r/min
(Oil) Lubrication Speed	1 000 r/min
Calculation factor (e)	0,2
Calculation factor (Y0)	3,27
Calculation factor (Y1)	3,34
rs min	3 mm
Number of lubrication holes	8
b	14 mm
k	8 mm
e	0.2

23960 Bearing 2D drawings and 3D CAD models



## Bearing industry Co., Ltd

Y1	3.34
Y2	4.98
Y0	3.27
Radial clearance class	CN
Dynamic load, C	1,110 kN
Static load, C0	2,320 kN
Fatigue limit load, Cu	198 kN
Nref	1,000 rpm
Nlim	1,300 rpm
Min operating temperature, Tmin	-40 ° C
Max operating temperature, Tmax	120 ° C
Characteristic cage frequency, FTF	0.46 Hz
Characteristic rolling element frequency, BSF	13.32 Hz
Characteristic outer ring frequency, BPF0	16.67 Hz
Characteristic inner ring frequency, BRF1	19.33 Hz
da min	312.4 mm
Da max	407.6 mm
ra max	2.5 mm
Category	Roller Bearings
Inventory	0.0
Manufacturer Name	NTN
Minimum Buy Quantity	N/A
Weight / Kilogram	40
EAN	4547359522730
Product Group	B04311