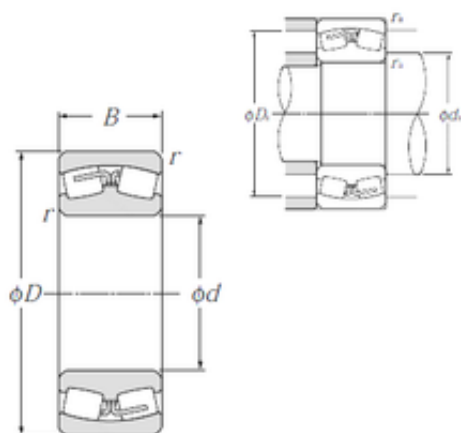




## Bearing industry Co., Ltd

### 850 mm x 1 120 mm x 200 mm NTN 239/850 Spherical Roller Bearings



Bearing No. 239/850

Size	850x1120x200 mm
Bore Diameter	850 mm
Outer Diameter	1120 mm
Width	200 mm
d	850 mm
D	1 120 mm
B	200 mm
C	200 mm
r min.	6 mm
da min.	878 mm
Da max.	1 092 mm
ra max.	5 mm
Weight	550 Kg
Basic dynamic load rating (C)	5 850 kN
Basic static load rating (C0)	15 100 kN
(Grease) Lubrication Speed	220 r/min
(Oil) Lubrication Speed	290 r/min
Calculation factor (e)	0,16
Calculation factor (Y0)	4,15
Calculation factor (Y1)	4,25

239/850 Bearing 2D drawings and 3D CAD models