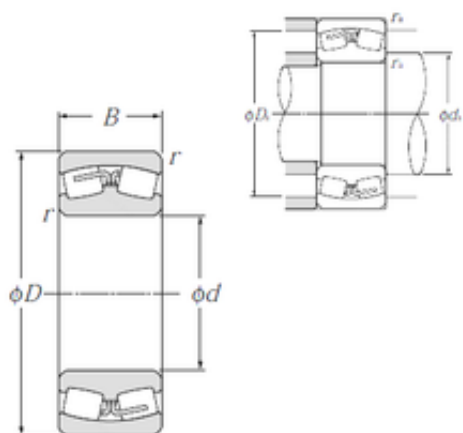




Bearing industry Co., Ltd

500 mm x 720 mm x 167 mm NTN 230/500B Spherical Roller Bearings



Bearing No. 230/500B

Size	500x720x167 mm
Bore Diameter	500 mm
Outer Diameter	720 mm
Width	167 mm
d	500 mm
D	720 mm
B	167 mm
C	167 mm
r min.	6 mm
da min.	528 mm
Da max.	692 mm
ra max.	5 mm
Weight	226 Kg
Basic dynamic load rating (C)	3 850 kN
Basic static load rating (C0)	8 300 kN
(Grease) Lubrication Speed	410 r/min
(Oil) Lubrication Speed	530 r/min
Calculation factor (e)	0,23
Calculation factor (Y0)	2,91
Calculation factor (Y1)	2,98
d2	678.5 mm
D1	800.8 mm
rs min	7.5 mm
Number of lubrication holes	8
b	33 mm

230/500B Bearing 2D drawings and 3D CAD models



Bearing industry Co., Ltd

k	20 mm
e	0.3
Y1	2.27
Y2	3.38
Y0	2.22
Radial clearance class	CN
Dynamic load, C	7,650 kN
Static load, C0	15,500 kN
Fatigue limit load, Cu	892 kN
Nref	310 rpm
Nlim	560 rpm
Min operating temperature, Tmin	-40 ° C
Max operating temperature, Tmax	120 ° C
Characteristic cage frequency, FTF	0.44 Hz
Characteristic rolling element frequency, BSF	8.56 Hz
Characteristic outer ring frequency, BPF0	10.2 Hz
Characteristic inner ring frequency, BRFI	12.8 Hz
da min	592 mm
Da max	888 mm
ra max	6 mm