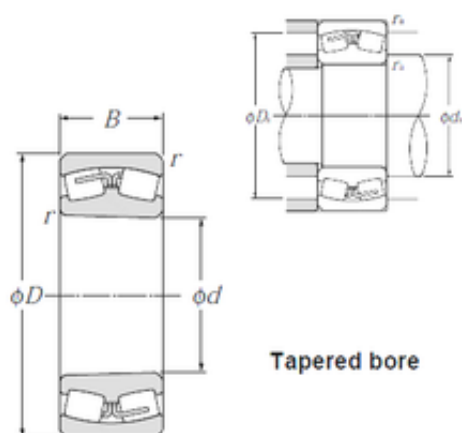




Bearing industry Co., Ltd

460 mm x 680 mm x 218 mm NTN 24092BK30 Spherical Roller Bearings



Bearing No. 24092BK30

Size	460x680x218 mm
Bore Diameter	460 mm
Outer Diameter	680 mm
Width	218 mm
d	460 mm
D	680 mm
B	218 mm
C	218 mm
r min.	6 mm
da min.	488 mm
Da max.	652 mm
ra max.	5 mm
Weight	272 Kg
Basic dynamic load rating (C)	4 600 kN
Basic static load rating (C0)	10 200 kN
(Grease) Lubrication Speed	390 r/min
(Oil) Lubrication Speed	510 r/min
Calculation factor (e)	0,31
Calculation factor (Y0)	2,11
Calculation factor (Y1)	2,15

24092BK30 Bearing 2D drawings and 3D CAD models