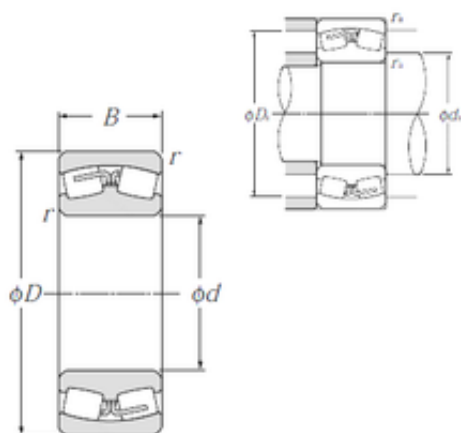




Bearing industry Co., Ltd

340 mm x 460 mm x 90 mm NTN 23968 Spherical Roller Bearings



Bearing No. 23968

Size	340x460x90 mm
Bore Diameter	340 mm
Outer Diameter	460 mm
Width	90 mm
d	340 mm
D	460 mm
B	90 mm
C	90 mm
r min.	3 mm
da min.	354 mm
Da max.	446 mm
ra max.	2,5 mm
Weight	44,7 Kg
Basic dynamic load rating (C)	1 220 kN
Basic static load rating (C0)	2 650 kN
(Grease) Lubrication Speed	650 r/min
(Oil) Lubrication Speed	870 r/min
Calculation factor (e)	0,17
Calculation factor (Y0)	3,83
Calculation factor (Y1)	3,91
rs min	3 mm
Number of lubrication holes	8
b	14 mm
k	8 mm
e	0.17

23968 Bearing 2D drawings and 3D CAD models



Bearing industry Co., Ltd

Y1	3.91
Y2	5.83
Y0	3.83
Radial clearance class	CN
Dynamic load, C	1,220 kN
Static load, C0	2,650 kN
Fatigue limit load, Cu	366 kN
Nref	900 rpm
Nlim	1,200 rpm
Min operating temperature, Tmin	-40 ° C
Max operating temperature, Tmax	120 ° C
Characteristic cage frequency, FTF	0.46 Hz
Characteristic rolling element frequency, BSF	14.26 Hz
Characteristic outer ring frequency, BPF0	17.68 Hz
Characteristic inner ring frequency, BPF1	20.32 Hz
da min	352.4 mm
Da max	447.6 mm
ra max	2.5 mm
Category	Bearings
Inventory	0.0
Manufacturer Name	NTN
Minimum Buy Quantity	N/A
Weight / Kilogram	50
EAN	0692314507414
Product Group	B04311