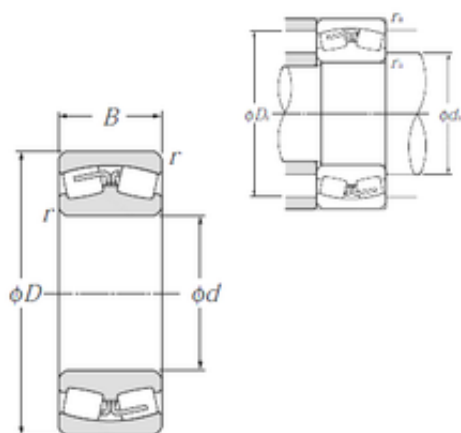




Bearing industry Co., Ltd



260 mm x 400 mm x 140 mm NTN 24052B Spherical Roller Bearings

Bearing No. 24052B

24052B Bearing 2D drawings and 3D CAD models

| | |
|-------------------------------|----------------|
| Size | 260x400x140 mm |
| Bore Diameter | 260 mm |
| Outer Diameter | 400 mm |
| Width | 140 mm |
| d | 260 mm |
| D | 400 mm |
| B | 140 mm |
| C | 140 mm |
| r min. | 4 mm |
| da min. | 278 mm |
| Da max. | 382 mm |
| ra max. | 3 mm |
| Weight | 65,2 Kg |
| Basic dynamic load rating (C) | 1 830 kN |
| Basic static load rating (C0) | 3 550 kN |
| (Grease) Lubrication Speed | 750 r/min |
| (Oil) Lubrication Speed | 980 r/min |
| Calculation factor (e) | 0,34 |
| Calculation factor (Y0) | 1,91 |
| Calculation factor (Y1) | 1,96 |
| Category | Bearings |
| Inventory | 0.0 |
| Manufacturer Name | NTN |
| Minimum Buy Quantity | N/A |
| Weight / Kilogram | 63.44 |



Bearing industry Co., Ltd

| | |
|---------------|---------------|
| EAN | 4547359288506 |
| Product Group | B04311 |