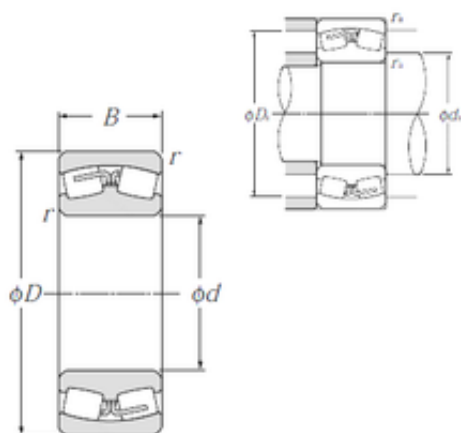




Bearing industry Co., Ltd

110 mm x 180 mm x 56 mm NTN 23122B Spherical Roller Bearings



Bearing No. 23122B

Size	110x180x56 mm
Bore Diameter	110 mm
Outer Diameter	180 mm
Width	56 mm
d	110 mm
D	180 mm
B	56 mm
C	56 mm
r min.	2 mm
da min.	120 mm
Da max.	170 mm
ra max.	2 mm
Weight	5,4 Kg
Basic dynamic load rating (C)	370 kN
Basic static load rating (C0)	580 kN
(Grease) Lubrication Speed	1 800 r/min
(Oil) Lubrication Speed	2 400 r/min
Calculation factor (e)	0,31
Calculation factor (Y0)	2,13
Calculation factor (Y1)	2,17
Category	Bearings
Inventory	0.0
Manufacturer Name	NTN
Minimum Buy Quantity	N/A
Weight / Kilogram	0

23122B Bearing 2D drawings and 3D CAD models



Bearing industry Co., Ltd

EAN	4547359279702
Product Group	B04311