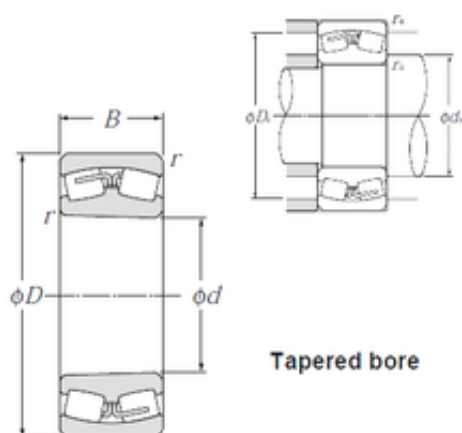




## Bearing industry Co., Ltd



### 220 mm x 400 mm x 108 mm NTN 22244BK Spherical Roller Bearings

Bearing No. 22244BK

22244BK Bearing 2D drawings and 3D CAD models

Size	220x400x108 mm
Bore Diameter	220 mm
Outer Diameter	400 mm
Width	108 mm
d	220 mm
D	400 mm
B	108 mm
C	108 mm
r min.	4 mm
da min.	238 mm
Da max.	382 mm
ra max.	3 mm
Weight	59,1 Kg
Basic dynamic load rating (C)	1 580 kN
Basic static load rating (C0)	2 460 kN
(Grease) Lubrication Speed	1 000 r/min
(Oil) Lubrication Speed	1 300 r/min
Calculation factor (e)	0,27
Calculation factor (Y0)	2,4
Calculation factor (Y1)	2,46
Category	Spherical Roller Bearings
Inventory	0.0
Manufacturer Name	NTN
Minimum Buy Quantity	N/A
Weight / Kilogram	59.3



## Bearing industry Co., Ltd

EAN	4547359519884
Product Group	B04311
Internal Clearance	C0-Medium
Mounting Method	Adapter Mount
Rolling Element	Spherical Roller Bearing
Bore Profile	Tapered
Cage Material	Bronze
Enclosure	Open
Number of Rows of Rollers	Double Row
Relubricatable	Yes
Withdrawal Sleeve	AH2244 (Specify bore)
Withdrawal Nut	HM48T
Inch - Metric	Metric
Long Description	220MM Tapered Bore; 400MM Outside Diameter; 108MM Width; C0-Medium Clearance; Adapter Mount; Double Row of Spherical Roller Bearings; Bronze Cage Material; Open Enclosure; Relubricatable; Adapter Part
Other Features	Order adapter or withdrawal sleeve or nut separately. Others may be available
Category	Spherical Roller Bearing
UNSPSC	31171510
Harmonized Tariff Code	84823080
Noun	Bearing
Keyword String	Spherical
Manufacturer URL	<a href="http://www.ntnamerica.com">http://www.ntnamerica.com</a>
Weight / LBS	130.611
Width	4.252 Inch   108 Millimeter
Adapter Part Number	SNW3144 H3144 (Specify



## Bearing industry Co., Ltd

	bore) Inch   H3144 (Specify bore) Millimeter
Bore	8.661 Inch   220 Millimeter
Outside Diameter	15.748 Inch   400 Millimeter